



**DANISH MEAT
RESEARCH INSTITUTE**

HEALTH SYSTEM



DISINFECTION AND TEMPERATURE CONTROL SYSTEM

System designed to be placed in any personal access point (industry, hospitals, offices, commerce, etc.). Its function is to carry out hand disinfection, body temperature control and it also has the option of mask control and facial control of personnel passage.

EQUIPMENT DESCRIPTION:

1. Photocell of person presence.
2. Step indicator light if we have correctly fulfilled the disinfection and correct temperature registration functions.
Green colour, correct (right of way).
Red colour + siren, wrong (step denied).
3. Temperature control and facial recognition terminal with mask control option and facial step control.
4. Hand sanitizer. We place our hands, and a sensor measures a dose of disinfectant in our hands. Blue indicator light for the hand disinfection area.
5. Access door to recharge disinfectant and to the control panel.
6. Output control photocell. Activate the alarm if we have not complied with the disinfection and temperature checking protocol

TECHNICAL CHARACTERISTICS:

- Designed to be placed in any personal access point.
- Different options. With support foot or without, with tourniquet or without.
- Option of temperature control terminal only.
- Configurable 7 "facial recognition terminal with temperature control, mask control and step registration.
- Temperature range from 34 to 42 °C.
- Detection distance 40-50cm.
- Temperature precision 0.3 °C.
- Constructed of AISI 304 stainless steel, satin finish.
- Control with incorrect verification alarm.
- Green light indication verification correct.
- Collection container for excess disinfectant without the need for a drain.
- Single phase 230V power supply.
- Power 200w.



3 FACIAL RECOGNITION
TEMPERATURE MEASUREMENT
TIME RECORDING

2

- GREEN LIGHT OK
- RED LIGHT OUTPUT
- SIREN ALARM



1 PERSONAL PHOTOCELL
DETECTOR.

4 HAND SANITIZERS

5 ACCESS RECHARGE
DISINFECTANT

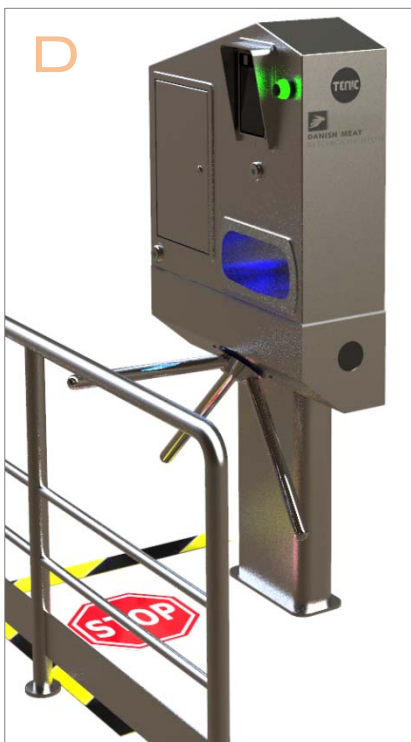
6 PERSONNEL PHOTOCELL
DETECTOR

OPTIONAL:

A WALL MOUNTED/ B COLUMN / C TOURNIQUET /

D TOURNIQUET COLUMN / E INDIVIDUAL

The hand disinfection and temperature control system can be mounted on a wall with a base foot to put it in any work space and also with a tourniquet.



MAIN USES:

This system can be installed in:

- FOOD FACTORIES
- INDUSTRIAL FACTORIES
- PUBLIC EQUIPMENT
- HOSPITALS
- OFFICES
- CATERING
- SHOPS
- DEPARTMENT STORES
- STORES
- RESTAURANTS - HOTELS



DISINFECTION AND TEMPERATURE CONTROL SYSTEM

OPTIONAL AND INDIVIDUAL TEMPERATURE CONTROL

The individual temperature control system is mounted with a base foot, to be able to place it in any working environment, with manual or automatic dispenser disinfection.

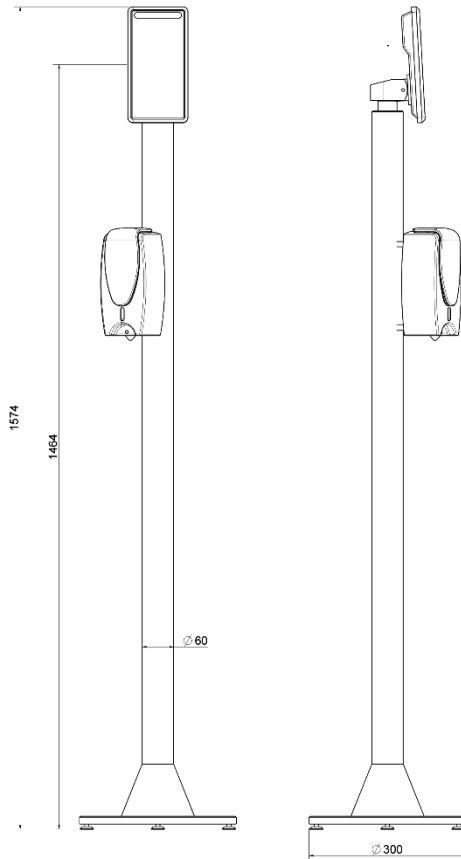
FACIAL RECOGNITION AND TEMPERATURE CONTROL INDIVIDUAL



MANUAL DISINFECTANT OPTION



AUTOMATIC DISINFECTANT OPTION



DIMENSIONS GENERALS:
Ø300 x H1574 mm





FACIAL RECOGNITION AND TEMPERATURE CONTROL



DIMENSIONS GENERALS: L780 x A300 x H775 mm

